

The weinor Cabrio patio roof



47 frame colours
and trend colours



WeiTronic Remoto
remote control



weinor

PergoTex

Simply unfold the sun and rain protection



www.weinor.com

Relax al Fresco |

weinor



As individual, as your requirements

The weinor PergoTex folding roof converts your patio into a variable living room with Mediterranean flair

The flexible weinor PergoTex folding roof protects from both sun and rain like the roof of a cabriolet. When it is open, you enjoy the sun, when closed, it protects from wind and rain. Designed on the basis of our tried-and-tested WeiTop Terrazza technology, this self-supporting structure can withstand up to force 8 winds. The tear-resistant, light-tight and rainproof motorised PVC awning material opens and retracts infinitely. The structure is designed to canopy especially large areas and is available as a single-section unit up to 7 m wide with a max. length of six and a half metres.





Wind-resistant, tear-resistant, rainproof

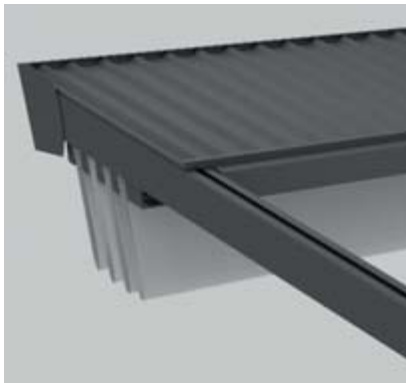
The tear-resistant PVC of the weinor PergoTex is fastened to robust aluminium transoms. This combination allows the completely extended folding roof to withstand wind strengths of up

to 8 (Beaufort). The minimum inclination of 8° allows rain-water to be drained forwards. The guidance of the transoms is accomplished via side channels, which are mounted to the WeiTop Terrazza guttering.

Controlled water drainage

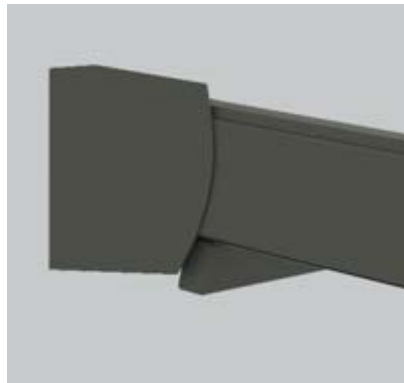
When fully extended, the front transom is located directly above the guttering. A transparent plastic lip drains the dripping water directly into the guttering and then into the water drains integrated in the posts. The posts can be cemented or screwed into the patio floor depending on the constructional circumstances.

High stability weather protection



Protective roof

When the PergoTex roof is folded in, the PVC fabric and transoms are located under the protective roof mounted above the side channels and wall mounts.



Sideway cover

An elegant cover plate covers the lateral mounts and protects from dirt.



Robust pulling system

The highly resistant toothed belts on ball bearings and especially quiet castors ensure smooth and continuous extension and retraction.

Integrated motor drive

You can easily operate the weinor PergoTex folding roof via a wall switch or via the WeiTronic remote control on request. The robust electromotor drives the folding roof in and out steplessly. The torque limiter ensures that the fabric is kept taut, even in case of stretching due to temperature fluctuation.

UV-resistant and rainproof PVC

The PVC material used for the roof covering possesses an excellent dimensional stability. Several layers of PVC guarantee a high resistance to tearing. The double-sided, dirt-repellent acrylic coating also guards against weathering. The PVC of the weinor PergoTex is available in two conventional light standard colours that reflect sunlight.

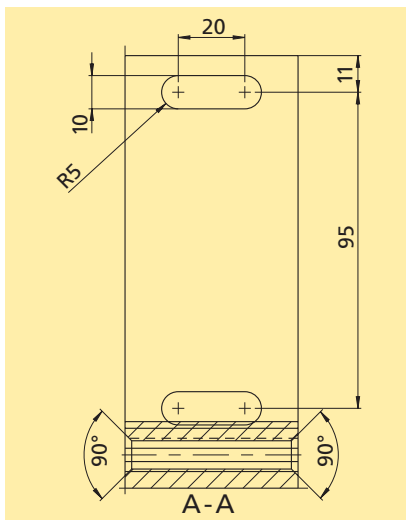


47 frame colours and trend colours

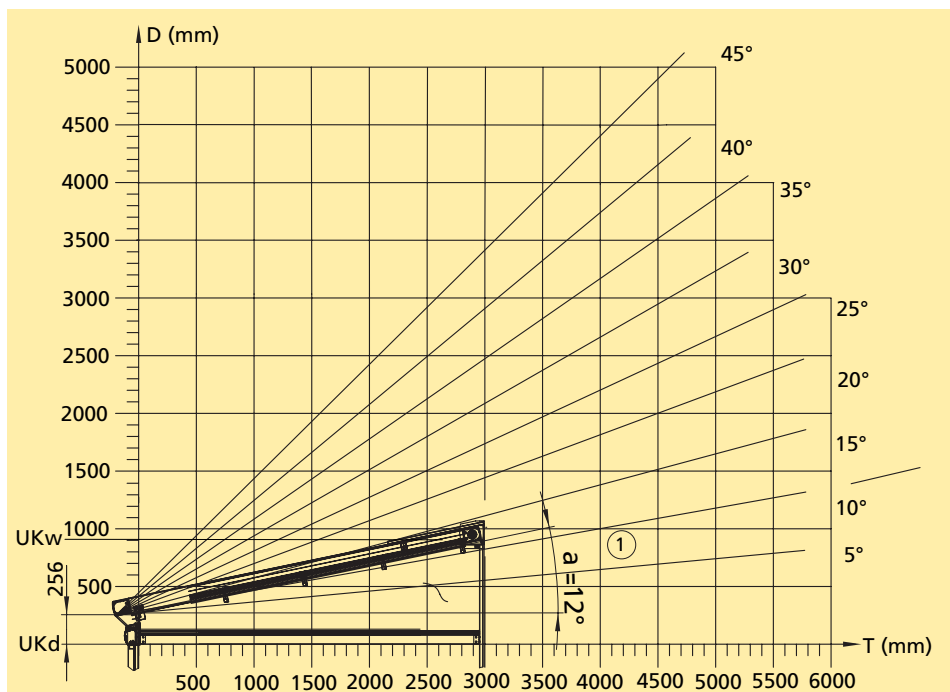
In combination with 47 standard rack colours and 8 conservatory trend colours, PergoTex can be adapted stylistically to every house facade or patio.

Wall brackets

Stable brackets are anchored in the house wall, thus forming the connection between the house and the folding roof.



Determination of the difference between the lower edge of the wall bracket and the lower edge of the roof = headroom



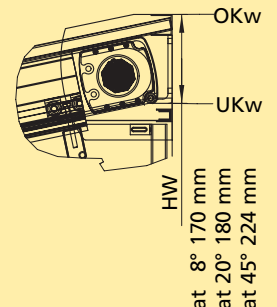
$$UKw = UKd + D$$

$$OKw = UKw + Hw$$

OKFF – Upper edge of finished floor
 UKw – Lower edge wall connection from OKFF

- 1)
 PergoTex
 T = 3000
 a = 12°
 UKd = 2100
 D = 900
 UKw = 3000
 Hw = 170

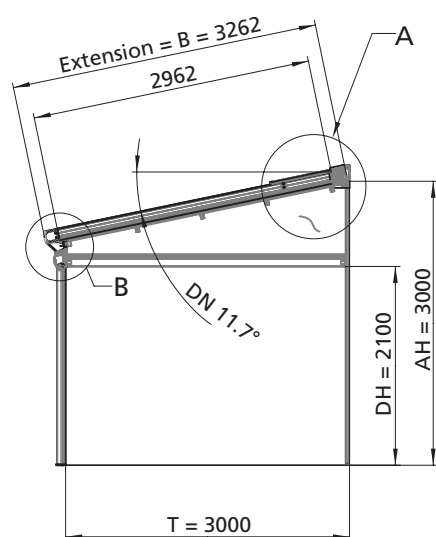
- OKw – Upper edge wall connection from OKFF
 D – Difference between UKw and UKd
 UKd – Lower edge guttering from OKFF
 Hw – Height wall connection
 a – Roof inclination
 T – Depth



Hw
 at 8° 170 mm
 at 20° 180 mm
 at 45° 224 mm

Hw * without protective roof
 with protective roof approx. + 35 mm

With this diagram you can determine the difference D from the UKd or to the UKw. With these formulae, you can determine the UKw and the OKw from OKFF. How to proceed: first determine the depth (T) and the envisaged pitch (a) for your roof. Starting at the point where the depth and roof pitch intersect, move horizontally from right to left to read the difference (D) between the UKd and the UKw.



| Terraces-depth in mm | Mounting height in mm | | | | | | | | | | |
|----------------------|-----------------------|------|------|------|------|------|------|------|------|------|------|
| | 2500 | 2600 | 2700 | 2800 | 2900 | 3000 | 3100 | 3200 | 3300 | 3400 | 3500 |
| 3262 | 2500 | 2600 | 2700 | 2800 | 2900 | 3000 | 3100 | 3200 | 3300 | 3400 | 3500 |
| 1500 | 1704 | 1715 | 1732 | 1755 | 1783 | 1816 | 1854 | 1897 | 1943 | 1994 | 2048 |
| 2000 | 2202 | 2211 | 2224 | 2242 | 2264 | 2290 | 2321 | 2355 | 2392 | 2434 | 2478 |
| 2500 | 2701 | 2709 | 2719 | 2734 | 2752 | 2774 | 2799 | 2827 | 2858 | 2893 | 2931 |
| 3000 | 3201 | 3207 | 3216 | 3228 | 3244 | 3262 | 3283 | 3307 | 3334 | 3364 | 3397 |
| 3500 | 3700 | 3706 | 3714 | 3724 | 3737 | 3753 | 3772 | 3793 | 3816 | 3842 | 3871 |
| 4000 | 4200 | 4205 | 4212 | 4221 | 4233 | 4247 | 4263 | 4282 | 4303 | 4326 | 4351 |
| 4500 | 4700 | 4704 | 4710 | 4719 | 4729 | 4742 | 4756 | 4773 | 4792 | 4812 | 4835 |
| 5000 | 5200 | 5203 | 5209 | 5216 | 5226 | 5237 | 5251 | 5266 | 5283 | 5302 | 5322 |
| 5500 | 5699 | 5703 | 5708 | 5715 | 5723 | 5734 | 5746 | 5760 | 5775 | 5793 | 5811 |
| 6000 | 6199 | 6202 | 6207 | 6213 | 6221 | 6231 | 6242 | 6255 | 6269 | 6285 | 6302 |

Explanation

The necessary extension arm is derived from the depth of the terrace to be roofed T and the mounting height AH.

The actual extension arm is 6285 mm at a depth of 6000 mm and a mounting height of 3400 mm.

| Technical details | weinor PergoTex Type A |
|------------------------------------|---|
| Max. width of one-piece system | 700 cm |
| Max. extension of one-piece system | 650 cm |
| Protective roof | 65 – 110 cm deep, according to extension of the PergoTex, number of staves |
| Motor drive | yes, standard |
| Roof inclination | 8° to 45° |
| Awning material | PVC, three-layer 780 g/m ² , high tear resistance, waterproof, light-tight and UV-proof |
| Colours | white and beige |
| Maximum wind strength | when completely extended up to wind strength 8 Beaufort (62 – 74 km/h) |
| 47 standard RAL colours | yes |
| Conservatory trend colours | yes, at a surcharge of (5%) |
| Other RAL colours | yes, at a surcharge of (10%) |
| Other texture colours | yes, at a surcharge of (15%) |
| Mounting options | wall and roof mounting |
| Options | <ul style="list-style-type: none"> • sideways wind protection; trapez with Transparento or fixed glazing with transoms (available as of summer 2012) • vertical awning VertiTex • glazing elements all-glass sliding door w17-c • heating system Tempura • WeiTronic remote control • set back posts • PVC in other colours, prices on request |



WeiTronic Remoto remote control

Options

You will control your PergoTex folding door even more comfortably with the **WeiTronic remote control**.

The **Tempura heating system** provides a pleasant warmth on cold evenings under the roof.



Even more variable with glazing elements

You can then use your folding roof on cool and rainy days. A circular view is included.

All-glass sliding door w17-c

The all-glass doors can be mounted perfectly under the roof of the PergoTex. They can later be upgraded to wind protection. w17-c provides



maximum transparency without vertical frames. The sliding wings can be pushed into a adjacent space-saving parking position. The guide rails can be virtually sunk into the floor. w17-c can be locked comfortably from inside via foot control. The profiles are manufactured in the same colour as the PergoTex system.



Frame profiles with glazing or fabric trapeze with Transparento

The trapeze between the brace required for the glazing (frame profile) and the roof construction can be closed optionally with a transparent fabric or with all-glass elements.

www.weinor.com

Note: The images in this brochure are generated electronically. Hence deviations from the original products are possible.

Your specialist centre will be pleased to advise you:

Worth & Co Blinds Ltd
R/O 26-30 Christchurch Rd
Southend on Sea
Essex SS2 4JS
Tel: 01702 467581
E-mail; sales@worthblinds.com
www.worthblinds.com